

Features

- 8-1/2" (216 mm) swing spout reach
- Single lever handle makes adjusting water temperature easy.
- Aerated flow delivers a smooth, steady stream of water
- Temperature memory allows faucet to be turned on and off at the temperature set during prior usage
- Matching finish escutcheon-mounted side sprayer
- Matching side sprayer provides flexibility and convenience for cleaning and food prep
- 1.5 gpm (5.7 lpm) maximum flow rate at 60 psi (4.14 bar)
- KOHLER ceramic disc valves exceed industry longevity standards for a lifetime of durable performance

Material

- Premium metal construction for durability and reliability
- KOHLER finishes resist corrosion and tarnishing

Installation

- For 8" (203 mm) centers
- Two-hole installation (three-hole escutcheon included)
- Flexible supply lines simplify installation

Recommended Products/Accessories

K-23723 Faucet cleaner

Optional Products/Accessories

1012715



ADA **CSA B651**

Codes/Standards

ASME A112.18.1/CSA B125.1

NSF/ANSI/CAN 61

NSF/ANSI/CAN 372

All applicable US Federal and State material regulations

DOE - Energy Policy Act 1992

California Energy Commission (CEC)

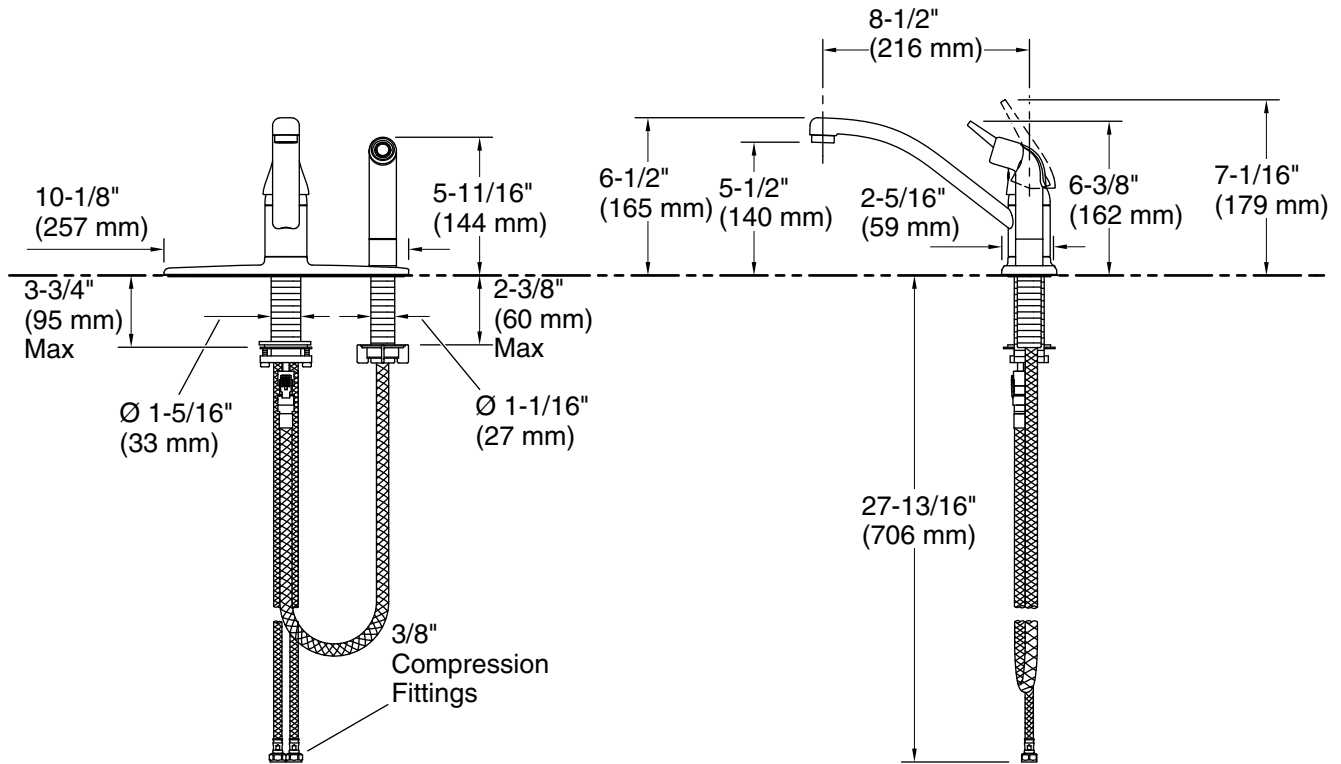
ADA

ICC/ANSI A117.1

CSA B651

KOHLER® Faucet Lifetime Limited Warranty

See website for detailed warranty information.



Technical Information

All product dimensions are nominal.

Sidespray:

Flow rate: 2.2 gal/min (8.3 l/min)

Pressure: 60 psi (4.1 bar)

Drain included: No

Spout:

Spout reach: 8-1/2" (216 mm)

Notes

Install this product according to the installation instructions.

ADA, CSA B651 compliant when installed to the specific requirements of these regulations.